



WORLD NO. 1 IN HYDRAULIC
ELEVATOR TECHNOLOGY

More than **830,000 lifts** worldwide
with **GMV technology**



GOODS LIFT PASSENGER & VEHICLE LIFT **GLP-VLT**

www.gmv.it
www.gmv-india.co.in

4 GOOD REASONS TO CHOOSE GOODS LIFT PASSENGER & VEHICLE LIFT GLP-VLT

1

> RELIABLE IN SERVICE

- Robust and durable car design
- Door sills designed for forklift truck loading

2

> SAFE

- In accordance with Lift Directive 2014/33/EU
- Power unit and controller are placed in a service friendly machine room
- Automatic return to landing in case of power failure (option)

3

> FLEXIBLE

- Modular design which fulfils different customers requirements regarding rated load and car dimensions
- The car frame and jack design result in minimum shaft dimensions in relation to the car size

4

> COST EFFECTIVE

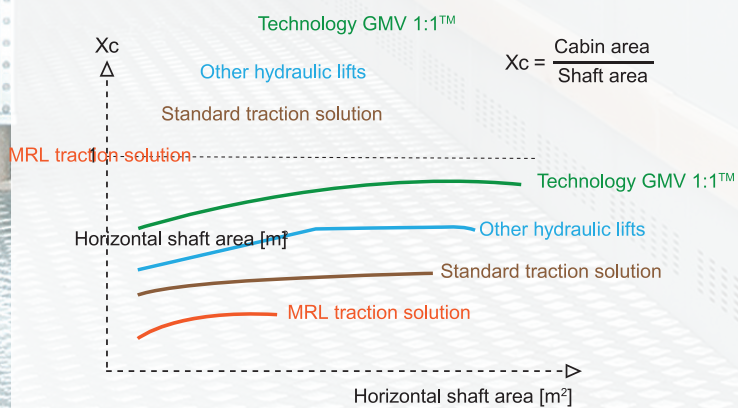
- Components prepared for quick and easy installation
- Low service and maintenance cost due to well known standard GMV components





> ADVANTAGES WITH DIRECT ACTING JACK 1:1 COMPARED TO ROPED HYDRAULIC IN 2:1 SOLUTION

- Higher stability during loading and unloading the car due to no rope elongation
- No safety gear, safety gear contact, ropes or pulley needed
- Simple to install and reduced service requirements
- Reduced size of guide rail due to lower buckling force as no safety gear is used
- Tubing system is designed with 1 rupture valve for a safe and reliable function
- Lower weight reduces jack and pump/motor size



CAR

CAR SPECIFICATION

Size	Width 1200-4350 mm Depth up to 6700 mm Height 2000-3000 mm
Floor	Tear steel plate painted RAL 7004
Walls	Zincor plate (not painted)
Ceiling	Zincor plate RAL 9003
Bumper	Solid hard wood or rubber
Sill	Reinforced aluminium as standard and solid steel for forklift model (F)
Lighting	Flourescent, fushed lights T5 standard

CAR OPTIONS

Floor	Inox AISI 304 tear plate or Aluminium fve bar
Walls	AISI 304 Brushed 180, AISI 304 Linen D25, Zincor plate painted RAL 1015, 7030, 7032, 7035
Ceiling	AISI 304 Brushed 180, AISI 304 Linen D25
Sill	Reinforced Inox
Lighting	LED Lights

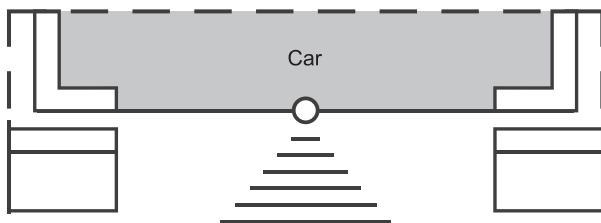
DOORS

DOOR SPECIFICATION

Size	Width up to 4000 mm Height up to 2900 mm
Operator	VVVF controlled
Finish	Painted Epoxi RAL 7032
Sill	Reinforced Aluminium
Panels	2, 4 or 6 central opening
Protection	Light curtain

DOOR OPTIONS

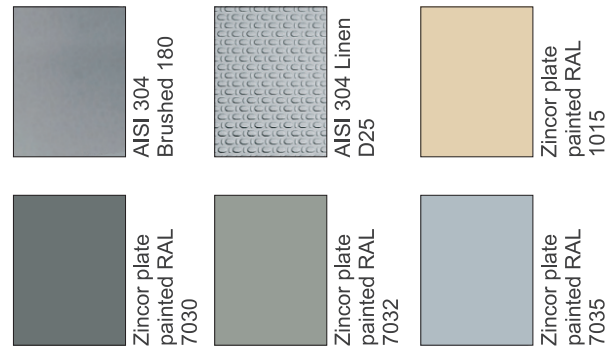
Finish	Hairline stainless steel, Linen D25
Sill	Solid steel or solid stainless steel
Protection	3D Monitoring system



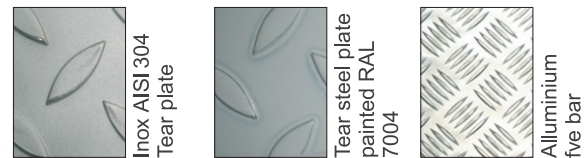
Fire rating	Conforms to local requirements, class E120 - EI30 - EI60 - EI90 - EI120
-------------	---

COLOURS AND MATERIALS

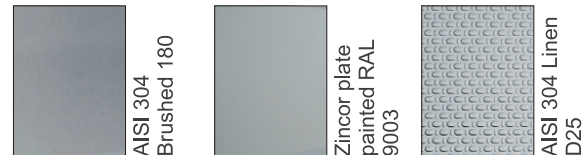
WALLS



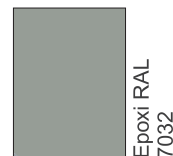
FLOORS



CEILING



DOORS



BUMPERS / LIGHTING



CAR

Carframe FLH and Guide rail

- Carframe design requires a minimum shaft dimension in relation to car size
- Standard guide rail fixings with jacks anchored to the hoistway walls
- Strong and light design for quick installation

Jack EC or 1008

GMV has 35 years of experience using synchronized jacks for goods lifts.

- Telescopic jacks are mechanically synchronized by chains, which give a constant synchronization and do not need to be "resynchronized"
- Jack design maintains a minimum shaft dimension in relation to car size
- Direct-acting jacks secure high stability during loading and unloading

Tubing system AST

- **Only one rupture valve secures a safe and reliable function**
- The AST-tubing is a rigid pipe system with threaded connections. No welding on site is needed
- The threaded connections with one adjustable part result in quick and easy installation

Power unit

- Power unit designed for installation in service-friendly machine room
- 3010 valve type with soft stop as standard and electronic valve as an option
- Star/Delta start or soft starter is supplied
- Auxiliary motor/pump for controlled re-levelling and main motor start reduction
- Flexible hose between power unit and rupture valve on AST- tubing

Controller, telephone and push buttons

- APB (direct control) or Pick up (memorized direct control)
- Complete pre-wired electric installation to reduce installation time
- Star/Delta start or soft starter is supplied
- Auxiliary motor control for re-levelling
- Emergency telephone conform to EN 81.28
- Push buttons conform to EN 81.70

> Below are the main components of the lift, which allow a **reduction of the hoistway space, quick and easy installation, safety, reliability and travel comfort.**



Carframe LH 35, FLH 35C



Carframe FLH 80F



Jack EC



Jack 1008

Design certificate
16-NOR-
LD- 013



AST 2-jack



AST 4-jack

Design certificate
17-NOR-
LD- 005

Guide rail manufactured in sizes T90/B, T125/B, T127/B or T140-2/B

**GOODS LIFT
PASSENGER GLP**

Accordance
with
EN 81.20

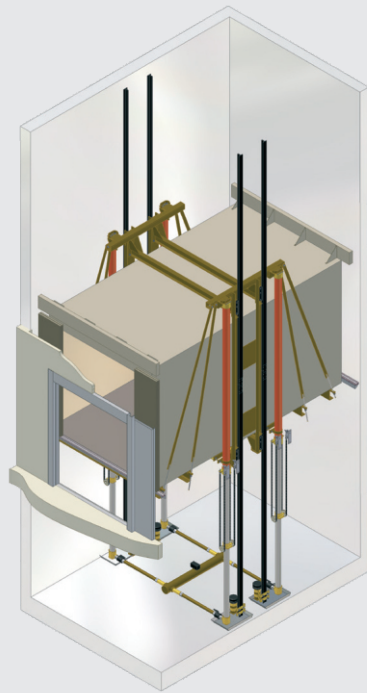


GLP 25, GLP 40, GLP 40F - Payload from 1,500 to 5,000 Kg



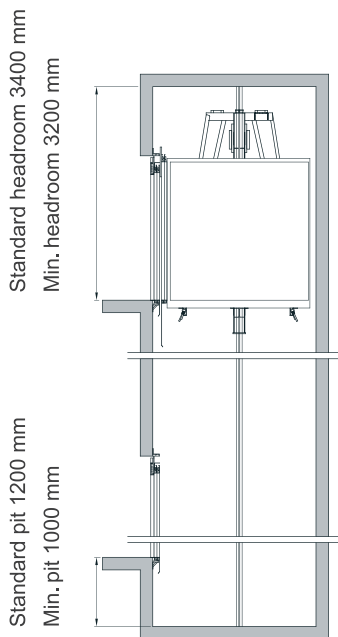
2-jacks Passenger- Goodslifts

GLP 80F - Payload from 4,000 to 10,000 Kg



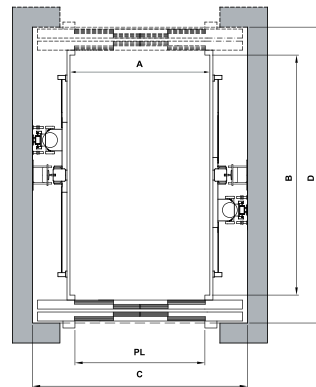
4-jacks Passenger - Goodslift. Ideal for forklift loading and unloading

GOODS LIFT PASSENGER GLP



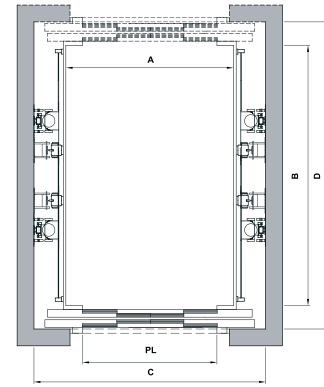
VERTICAL SECTION

GLP 25, GLP 40, GLP 40F



SHAFT LAYOUT

GLP 80F



SHAFT LAYOUT

GOODS LIFT PASSENGER STANDARD SIZES *

Lift Type	Rated load [kg]	Car Dimensions [mm]		Door [mm]		Shaft dimensions [mm]			Jacks [No.]	
		A	B	PL	Type	C	D with 1 entrance	D with 2 opposite entrances		
1	GLP25	1250-2500	1500	2700	1300	C4	2200	3100	3260	2
2	GLP25	1250-2500	1800	2700	1400	C4	2500	3100	3260	2
3	GLP25	1800-3000	2100	2700	1700	C4	2800	3100	3260	2
4	GLP40	2100-4000	2200	3100	1800	C4	2900	3500	3660	2
5	GLP40	2250-4000	2200	3400	1800	C4	2900	3800	3960	2
6	GLP40	3000-5000	2600	3900	2100	C4	3300	4300	4460	2
7	GLP40	3250-5000	2600	4300	2100	C4	3300	4700	4860	2
8	GLP80	3250-6000	2600	4300	2100	C4	3300	4700	4860	4
9	GLP80	4000-8000	2800	4800	2200	C4	3500	5200	5360	4
10	GLP80	4500-8500	2800	5300	2400	C6	3500	5800	6040	4
11	GLP80	4500-9000	3000	5300	2600	C6	3700	5800	6040	4
12	GLP80	4700-10000	2800	6000	2400	C6	3500	6500	6740	4

F = suitable for loading and unloading operations with a forklift

Door type C4 = 4 panels central doors opening - Door type C6 = 6 panels central doors opening

Max. travel 13,7 m with standard pit depth (1200 mm) and standard headroom (3400 mm).
Higher travels are possible with increased pit/headroom. Min pit 1000 mm under certain conditions,
see technical information. For other head rooms please contact GMV Sweden office.

Max speed GLP 0,63 m/s

GLP car height 2000-3000 mm

* Written dimensions are only examples, other rated loads and car dimensions on request.





VEHICLE LIFT VLT



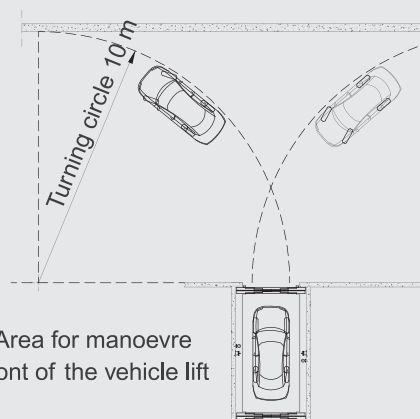


> OPTIONS

- **Winterization** - Floor prepared for winter climate with collection of snow and water below the floor
- **Radio transmitter** - Call the lift easy from the car with a remote control

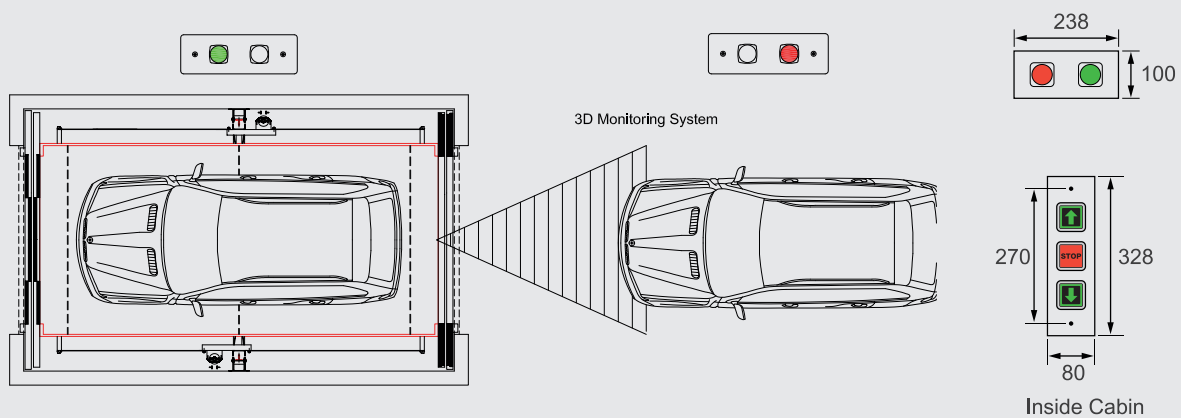


> WALL OPPOSITE TO THE VEHICLE LIFT



In case of road perpendicular to the car's axis must keep a distance min. 10 m to the opposite wall

TRAFFIC LIGHT SYSTEM AND 3D MONITORING SYSTEM



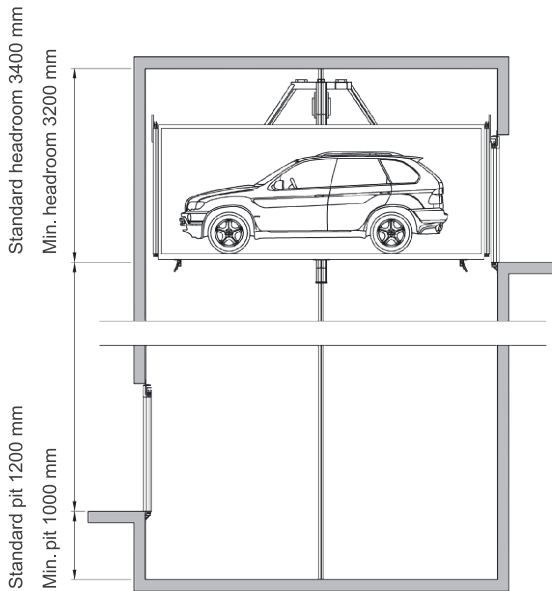
- **Traffic Light System**

Light panels to find the correct position of the vehicle inside the cabin and outside the cabin.

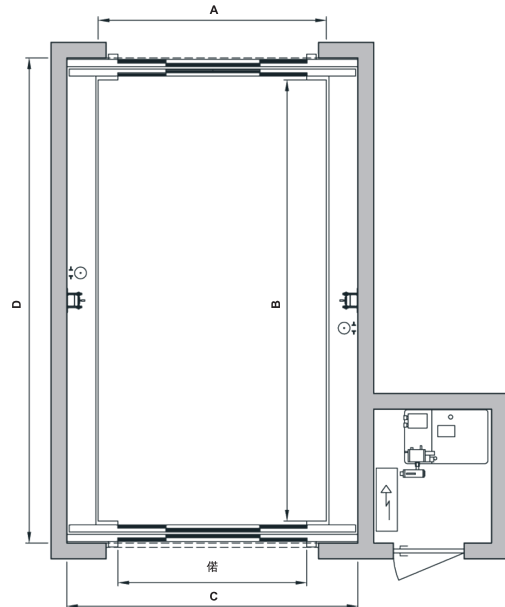
- **3D Monitoring System**

Safety equipment with infrared sensors, which stops door closure by detecting the car presence.

VLT 30, VLT 35, VLT 40, VLT 45



VERTICAL SECTION



SHAFT LAYOUT

VEHICLE LIFTS STANDARD SIZES *										
Lift Type	Rated load [kg]	Car Dimensions [mm]		Door [mm]		Shaft dimensions [mm]			Jacks [No.]	
		A	B	PL	Type	C	D with 1 entrance	D with 2 opposite entrances		
1	VLT30	3000	2400	5300	2300	C6	3300	5770	6040	2
2	VLT35	3500	2700	5600	2400	C6	3400	6070	6340	2
3	VLT40	4000	2800	6000	2600	C6	3700	6470	6740	2
4	VLT45	4500	3000	6000	2800	C6	4100	6740	6740	2
Door type C6 = 6 panels central doors opening										
Max. travel approx. 20 m with standard pit depth (1200 mm) and standard headroom (3400 mm). Higher travels are possible with increased pit/headroom. Min pit 1000 mm under certain conditions, see technical information. For other head rooms please contact GMV office.										
Max speed VLT 0,5 m/s										
VLT car height 2000-2600 mm										

* Written dimensions are only examples, other rated loads and car dimensions on request.



GMV INDIA PRIVATE LIMITED

Office:

201, 2nd Floor – LEONARDO OFFICE,

Building type A,

Hiranandani Estate,

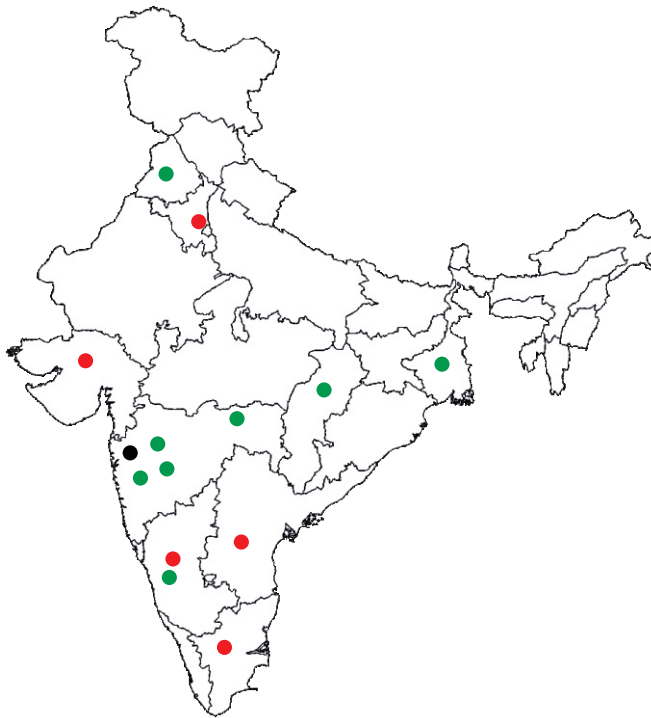
Ghodbunder Road,

Thane (W) – 400607

Tel.: +91 22 41005236

Tel.: +91 7506336730

e-mail: info@gmv-india.co.in



For More details

Please Log On to.
www.gmv-india.co.in

GMV India's Network

- Head Office in Mumbai
- Glocal Partners
- Distributors

GMV worldwide



GMV's quality systems are certified. Furthermore, we have introduced the "6 sigma" concept as a total quality philosophy, up to the complete testing of the products.

This document is for information purposes only. We reserve the right to modify at any time the reported specifications, without notice. We recommend that you view actual samples of car finishes, as there may be slight differences to those illustrated in the brochure.